

NO. OF BAGS	BAG LGH (IN)	FILTER AREA (SQ. FT.)	NO. OF VALVES	100 PSI COMP. AIR (SCFM)	EST. WEIGHT (LBS.)	OUTLET SIZE (IN)	GENERAL DIMENSIONS					
							A	B	C	D	E	F
BB 4	36	17	2	2.0	262	2"Ø	1'-4"	3'-10"	5'-2"	18"	3 SP @ 4	20
	58	29		2.2	333	THRU	1'-4"	5'-8"	7'-0"			
	84	43		2.7	405	3"Ø	1'-4"	7'-10"	9'-2"			
BB 9	36	39	3	4.0	399	3"Ø	2'-0"	3'-10"	5'-2"	26"	5 SP @ 4	28
	58	65		4.5	493	THRU	2'-0"	5'-8"	7'-0"			
	84	95		5.0	575	6"Ø	2'-0"	7'-10"	9'-2"			
BB 16	58	115	4	5.9	675	5"Ø	2'-8"	5'-8"	7'-0"	34"	7 SP @ 4	36
	84	170		6.2	785	THRU	2'-8"	7'-10"	9'-2"			
	100	203		6.4	887	8"Ø	2'-8"	9'-2"	10'-6"			
BB 25	58	180	5	6.8	879	7"Ø	3'-4"	5'-8"	7'-0"	42"	9 SP @ 4	44
	84	265		7.5	1017	THRU	3'-4"	7'-10"	9'-2"			
	100	317		7.8	1289	11"Ø	3'-4"	9'-2"	12'-6"			
BB 36	58	259	6	8.2	1242	9"Ø	4'-0"	5'-8"	7'-0"	50"	11 SP @ 4	52
	84	382		8.4	1444	THRU	4'-0"	7'-10"	9'-2"			
	100	457		8.8	1600	12"Ø	4'-0"	9'-2"	10'-6"			

**CUSTOMER DATA**

- \_\_\_\_\_ AIR VOLUME
- \_\_\_\_\_ FILTER AREA
- \_\_\_\_\_ AIR/CLOTH RATIO
- \_\_\_\_\_ PRODUCT
- \_\_\_\_\_ TEMPERATURE
- \_\_\_\_\_ DUST LOADING

**CONSTRUCTION**

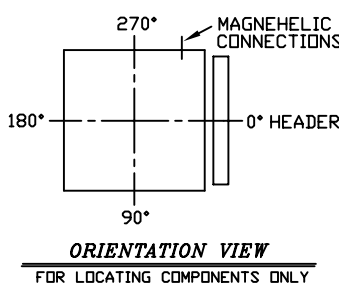
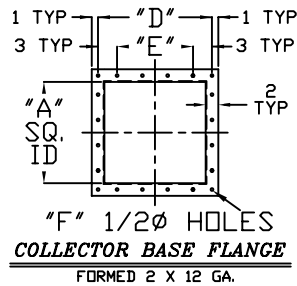
- \_\_\_\_\_ MS (STANDARD)
- \_\_\_\_\_ SS (DUST CONTACT)
- \_\_\_\_\_ SS (GAS CONTACT)
- \_\_\_\_\_ OTHER

**FILTER BAGS**

- \_\_\_\_\_ STANDARD 16 OZ. PE
- \_\_\_\_\_ OTHER

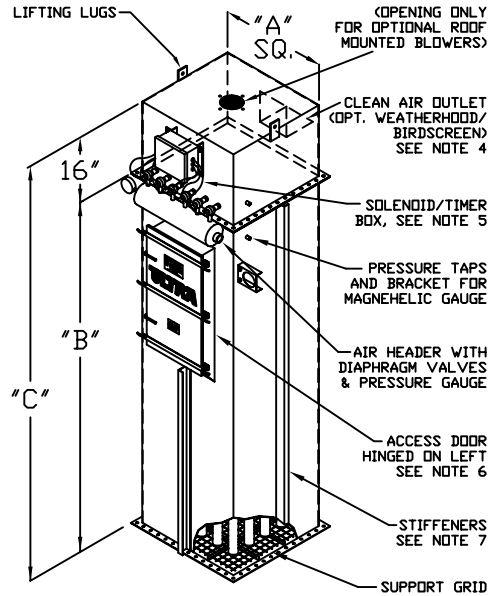
**OPTIONS & ORIENTATIONS**

- \_\_\_\_\_ OUTLET
- \_\_\_\_\_ BIRDSCREEN
- \_\_\_\_\_ C.A.P. ACCESS
- \_\_\_\_\_ D.A.P. ACCESS
- \_\_\_\_\_ PLATFORM
- \_\_\_\_\_ LADDER
- \_\_\_\_\_ FAN
- \_\_\_\_\_ INTERIOR PAINT
- \_\_\_\_\_ SUPPORT GRID
- \_\_\_\_\_ EXPLOSION DOOR
- \_\_\_\_\_ INSULATION
- \_\_\_\_\_ SPRINKLER
- \_\_\_\_\_ SOLENOID BOX
- \_\_\_\_\_ PULSE ON DEMAND
- \_\_\_\_\_ PRESSURE SWITCH
- \_\_\_\_\_ OTHER



**SHOP NOTES**

- DESIGN PRESSURE UP TO +/- 20" W.G.
- SURFACE FINISH: ALL EXTERIOR MS SURFACES FINISH: ONE (1) COAT SHERWIN WILLIAMS METALASTIC DTM ACRYLIC MODIFIED ENAMEL (SWB55Z600SHG) ULTRA GRAY @ 4 MILS D.F.T. MIN.
- AIR HEADER IS ALWAYS LOCATED AT 0 DEGREES.
- CLEAN AIR OUTLET CANNOT BE AT 0 DEGREES.
- A NEMA 4 SOLENOID/TIMER BOX ASSEMBLY IS SUPPLIED. THE SOLENOID VALVES ARE PREWIRED TO THEIR RESPECTIVE TIMER OUTPUT TERMINALS. THE SOLENOID PORT IS PRE-CONNECTED TO ITS RESPECTIVE DIAPHRAGM VALVE RELIEF PORT USING POLY-FLOW TUBING.
- ALL UNITS WITH 58" & 84" FILTER BAGS WILL HAVE 20" X 36" HINGED ACCESS DOORS. ALL UNITS WITH 100" FILTER BAGS WILL HAVE 20" X 44" HINGED ACCESS DOORS. MODEL BB-9-36 WILL HAVE A 20" X 24" HINGED ACCESS DOOR. MODEL BB-4-36 WILL HAVE A 16" X 24" BOLTED ACCESS DOOR. MODEL BB-4-58 WILL HAVE A 16" X 36" BOLTED ACCESS DOOR.
- STIFFENERS WILL BE USED ON (BB-36 & BB-25-100) UNITS ONLY.
- GENERAL ARRANGEMENT IS TO BE USED FOR REFERENCE ONLY AND NOT FOR CONSTRUCTION UNLESS CERTIFIED BY CUSTOMER.



REV.	DESCRIPTION	DATE BY
	<b>UNITS</b> UNLESS OTHERWISE SPECIFIED, ALL DIMENSIONS ARE IN INCHES.	<b>TOLERANCES</b> FRACTIONAL ± 1/8" ANGULAR ± .5°
THIS MATERIAL IS THE SOLE PROPERTY OF ULTRA INDUSTRIES INC. AND SHALL NOT BE REPRODUCED, PUBLISHED OR DISCLOSED TO ANYONE WITHOUT OBTAINING THE WRITTEN AUTHORIZATION OF ULTRA INDUSTRIES INC.		
NO BACKCHARGES FOR FIELD RELATED WORK OF ANY KIND WILL BE ACCEPTED UNLESS FIRST REQUESTED AND AGREED TO WITH WRITTEN AUTHORIZATION FROM ULTRA INDUSTRIES INC.		
<b>ULTRA INDUSTRIES, INC.</b> 1908 DEKOVEN AVE. RACINE, WISCONSIN 53403 PHONE: 262/633-5070 FAX: 262/633-5102		
<b>FOR SPARE PARTS, CALL: 1-800-35ULTRA</b>		
SCALE: <b>N.T.S.</b>	SERIAL NO.:	DRAWN BY: <b>MLD</b>
DATE: <b>1-2000</b>	<b>ARRANGEMENT II</b>	
<b>GENERAL ARRANGEMENT</b>		
MODEL: <b>BB-4 -- BB-36 COLLECTORS</b>	DRAWING NUMBER: <b>BB4-36 II</b>	REV.: <b>0</b>
<b>BOTTOM BAG REMOVAL</b>		

NO. OF BAGS	BAG LGH (IN)	FILTER AREA (SQ. FT.)	NO. OF VALVES	100 PSI COMP. AIR (SCFM)	EST. WEIGHT (LBS.)	OUTLET DIA. (IN)	<i>GENERAL DIMENSIONS</i>					
							A	B	C	D	E	F
BB 49	84	520	7	9.8	1935	10"	4'-8"	7'-10"	9'-2"	15	60"	60
	100	622		10.5	2092	THRU	4'-8"	9'-2"	10'-6"			
	120	750		11.2	2288	13"	4'-8"	10'-10"	12'-2"			
BB 64	84	679	8	12.0	2241	11"	5'-4"	7'-10"	9'-2"	17	68"	68
	100	813		12.8	2414	THRU	5'-4"	9'-2"	10'-6"			
	120	980		13.1	2631	15"	5'-4"	10'-10"	12'-2"			
BB 81	84	859	9	13.5	2735	13"	6'-0"	7'-10"	10'-4"	19	76"	76
	100	1028		14.0	2925	THRU	6'-0"	9'-2"	11'-8"			
	120	1241		14.5	3163	17"	6'-0"	10'-10"	13'-4"			
BB 100	84	1060	10	15.0	3390	15"	6'-8"	7'-10"	10'-4"	21	84"	84
	100	1270		15.5	3618	THRU	6'-8"	9'-2"	11'-8"			
	120	1532		16.0	3902	19"	6'-8"	10'-10"	13'-4"			
BB 121	84	1283	11	17.0	3793	17"	7'-4"	7'-10"	10'-4"	23	92"	92
	100	1536		17.5	4037	THRU	7'-4"	9'-2"	11'-8"			
	120	1853		18.0	4342	20"	7'-4"	10'-10"	13'-4"			

**CUSTOMER DATA**

- \_\_\_\_\_ AIR VOLUME
- \_\_\_\_\_ FILTER AREA
- \_\_\_\_\_ AIR/CLOTH RATIO
- \_\_\_\_\_ PRODUCT
- \_\_\_\_\_ TEMPERATURE
- \_\_\_\_\_ DUST LOADING

**CONSTRUCTION**

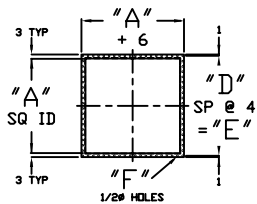
- \_\_\_\_\_ MS (STANDARD)
- \_\_\_\_\_ SS (DUST CONTACT)
- \_\_\_\_\_ SS (GAS CONTACT)
- \_\_\_\_\_ OTHER \_\_\_\_\_

**FILTER BAGS**

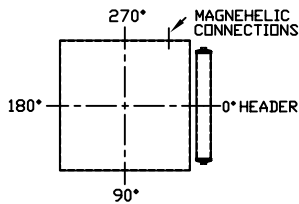
- \_\_\_\_\_ STANDARD 16 OZ. PE
- \_\_\_\_\_ OTHER \_\_\_\_\_

**OPTIONS & ORIENTATIONS**

- \_\_\_\_\_ OUTLET
- \_\_\_\_\_ BIRDSCREEN
- \_\_\_\_\_ C.A.P. ACCESS
- \_\_\_\_\_ D.A.P. ACCESS
- \_\_\_\_\_ PLATFORM
- \_\_\_\_\_ LADDER
- \_\_\_\_\_ FAN
- \_\_\_\_\_ INTERIOR PAINT
- \_\_\_\_\_ SUPPORT GRID
- \_\_\_\_\_ SUPT. SADDLE
- \_\_\_\_\_ EXPLOSION DOOR
- \_\_\_\_\_ INSULATION
- \_\_\_\_\_ SPRINKLER
- \_\_\_\_\_ SOLENOID BOX
- \_\_\_\_\_ PULSE ON DEMAND
- \_\_\_\_\_ PRESSURE SWITCH
- \_\_\_\_\_ OTHER \_\_\_\_\_



**BASE FLANGE DETAIL**  
FORMED 3 X 12 GA.

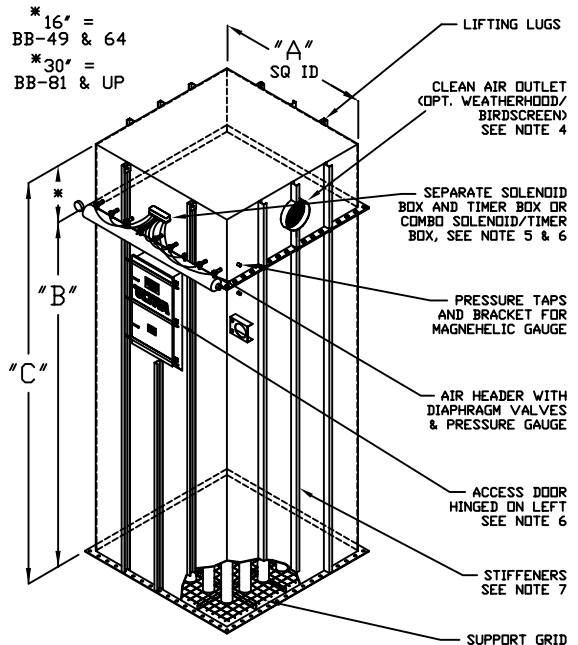


**ORIENTATION VIEW**

FOR LOCATING COMPONENTS ONLY

**SHOP NOTES**

- 1) DESIGN PRESSURE UP TO +/- 20' W.G.
- 2) SURFACE FINISH: ALL EXTERIOR MS SURFACES FINISH: ONE (1) COAT SHERWIN WILLIAMS METALASTIC DTM ACRYLIC MODIFIED ENAMEL (SWB552600SHG) ULTRA GRAY @ 4 MILS D.F.T. MIN.
- 3) AIR HEADER IS ALWAYS LOCATED AT 0 DEGREES.
- 4) CLEAN AIR OUTLET CANNOT BE AT 0 DEGREES.
- 5) BB-49 - BB-100 UNITS WILL HAVE A NEMA 4 SOLENOID/TIMER BOX ASSEMBLY. BB-121 UNITS WILL HAVE A NEMA 4 SOLENOID BOX. THE SOLENOID VALVES ARE PREWIRED TO THEIR RESPECTIVE TIMER OUTPUT TERMINALS. THE SOLENOID PORT IS PRE-CONNECTED TO ITS RESPECTIVE DIAPHRAGM VALVE RELIEF PORT USING POLY-FLOW TUBING.
- 6) A TIMER & NEMA 4 TIMER BOX IS SUPPLIED AND SHIPPED LOOSE FOR FIELD LOCATING AND MTG. THE TIMER BOX REQUIRES 1 PH / 60 HZ / 115 VOLT ELECTRICAL CONNECTION. (BB-121 UNITS ONLY).
- 7) ALL UNITS WILL HAVE A 20' X 44" HINGED ACCESS DOOR.
- 8) ALL UNITS WILL HAVE VERTICAL STIFFENERS ON 24" CENTERS.
- 9) GENERAL ARRANGEMENT IS TO BE USED FOR REFERENCE ONLY AND NOT FOR CONSTRUCTION UNLESS CERTIFIED BY CUSTOMER.



REV.	DESCRIPTION	DATE BY

UNITS	TOLERANCES
UNLESS OTHERWISE SPECIFIED, ALL DIMENSIONS ARE IN INCHES.	FRACTIONAL ANGULAR ± 1/8" ± 5°

THIS MATERIAL IS THE SOLE PROPERTY OF ULTRA INDUSTRIES INC. AND SHALL NOT BE REPRODUCED, PUBLISHED OR DISCLOSED TO ANYONE WITHOUT OBTAINING THE WRITTEN AUTHORIZATION OF ULTRA INDUSTRIES INC.

NO BACKCHARGES FOR FIELD RELATED WORK OF ANY KIND WILL BE ACCEPTED UNLESS FIRST REQUESTED AND AGREED TO WITH WRITTEN AUTHORIZATION FROM ULTRA INDUSTRIES INC.



**ULTRA INDUSTRIES, INC.**  
1908 DEKOVEN AVE. RACINE, WISCONSIN 53403  
PHONE: 262/633-5070 FAX: 262/633-5102

FOR SPARE PARTS, CALL: 1-800-35ULTRA

SCALE: N.T.S.	SERIAL NO.: ARRANGEMENT II	DRAWN BY: MLD
DATE: 1-2000	APPROVED BY:	

**GENERAL ARRANGEMENT**

MODEL: BB-49 -- BB-121 COLLECTORS BOTTOM BAG REMOVAL	DRAWING NUMBER: BB49-121 II	REV.: 0
---	-----------------------------	---------

NO. OF BAGS	BAG LGH (IN)	FILTER AREA (SQ. FT.)	NO. OF VALVES	100 PSI COMP. AIR (SCFM)	EST. WEIGHT (LBS.)	OUTLET SIZE (IN)	GENERAL DIMENSIONS					
							A	B	C	D	E	F
BB 144	84	1527	12	18.0	4220	22"Ø	8'-0"	7'-10"	10'-4"	25	100"	100
	100	1828		18.6	4480	THRU	8'-0"	9'-2"	11'-8"			
	120	2205		19.2	4806	26"Ø	8'-0"	10'-10"	13'-4"			
BB 169	84	1792	13	19.0	5102	18X24	8'-8"	7'-10"	10'-4"	27	108"	108
	100	2146		19.6	5400	THRU	8'-8"	9'-2"	11'-8"			
	120	2588		20.0	5773	24X26	8'-8"	10'-10"	13'-4"			
BB 196	84	2078	14	21.6	5605	21X24	9'-4"	7'-10"	10'-4"	29	116"	116
	100	2489		22.2	5919	THRU	9'-4"	9'-2"	11'-8"			
	120	3002		22.8	6313	24X30	9'-4"	10'-10"	13'-4"			
BB 225	84	2386	15	23.2	6392	24X24	10'-0"	7'-10"	10'-4"	31	124"	124
	100	2857		24.0	6745	THRU	10'-0"	9'-2"	11'-8"			
	120	3446		24.8	7185	24X35	10'-0"	10'-10"	13'-4"			
BB 256	84	2714	16	24.9	6950	24X27	10'-8"	7'-10"	10'-4"	33	132"	132
	100	3251		25.2	7319	THRU	10'-8"	9'-2"	11'-8"			
	120	3921		25.7	7780	24X40	10'-8"	10'-10"	13'-4"			

**CUSTOMER DATA**

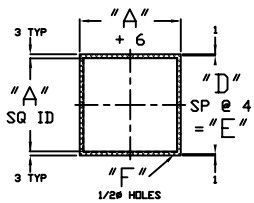
\_\_\_\_\_ AIR VOLUME  
 \_\_\_\_\_ FILTER AREA  
 \_\_\_\_\_ AIR/CLOTH RATIO  
 \_\_\_\_\_ PRODUCT  
 \_\_\_\_\_ TEMPERATURE  
 \_\_\_\_\_ DUST LOADING

**CONSTRUCTION**

\_\_\_\_\_ MS (STANDARD)  
 \_\_\_\_\_ SS (DUST CONTACT)  
 \_\_\_\_\_ SS (GAS CONTACT)  
 \_\_\_\_\_ OTHER \_\_\_\_\_

**FILTER BAGS**

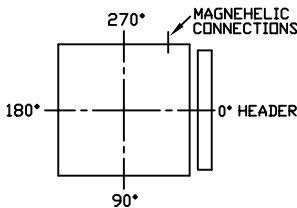
\_\_\_\_\_ STANDARD 16 OZ. PE  
 \_\_\_\_\_ OTHER \_\_\_\_\_



**BASE FLANGE DETAIL**  
FORMED 3 X 12 GA.

**OPTIONS & ORIENTATIONS**

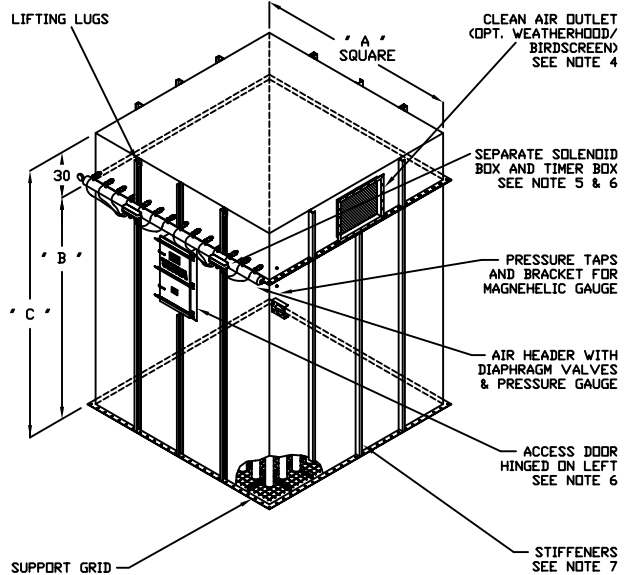
\_\_\_\_\_ OUTLET  
 \_\_\_\_\_ BIRDSCREEN  
 \_\_\_\_\_ C.A.P. ACCESS  
 \_\_\_\_\_ D.A.P. ACCESS  
 \_\_\_\_\_ SUPT. SADDLE  
 \_\_\_\_\_ PLATFORM  
 \_\_\_\_\_ LADDER  
 \_\_\_\_\_ FAN  
 \_\_\_\_\_ VIBRATOR  
 \_\_\_\_\_ LEVEL INDICATOR  
 \_\_\_\_\_ INTERIOR PAINT  
 \_\_\_\_\_ SUPPORT GRID  
 \_\_\_\_\_ EXPLOSION DOOR  
 \_\_\_\_\_ INSULATION  
 \_\_\_\_\_ SPRINKLER  
 \_\_\_\_\_ SOLENOID BOX  
 \_\_\_\_\_ PULSE ON DEM.  
 \_\_\_\_\_ PRESS. SWITCH  
 \_\_\_\_\_ OTHER \_\_\_\_\_



**ORIENTATION VIEW**  
FOR LOCATING COMPONENTS ONLY

**SHOP NOTES**

- DESIGN PRESSURE UP TO +/- 20" W.G.
- SURFACE FINISH: ALL EXTERIOR MS SURFACES FINISH: ONE (1) COAT SHERWIN WILLIAMS METALASTIC DTM ACRYLIC MODIFIED ENAMEL (SWB55Z600SHG) ULTRA GRAY @ 4 MILS D.F.T. MIN.
- AIR HEADER IS ALWAYS LOCATED AT 0 DEGREES.
- CLEAN AIR OUTLET CANNOT BE AT 0 DEGREES.
- A NEMA 4 SOLENOID BOX IS SUPPLIED. THE SOLENOID VALVES ARE PREWIRED TO THEIR RESPECTIVE TIMER OUTPUT TERMINALS. THE SOLENOID PORT IS PRE-CONNECTED TO ITS RESPECTIVE DIAPHRAGM VALVE RELIEF PORT USING POLY-FLOW TUBING.
- A TIMER & NEMA 4 TIMER BOX IS SUPPLIED AND SHIPPED LOOSE FOR FIELD LOCATING AND MOUNTING. THE TIMER BOX REQUIRES 115 V/60 HZ/1 PH ELECTRICAL CONNECTION
- ALL UNITS WILL HAVE A 20" X 44" HINGED ACCESS DOOR.
- ALL UNITS WILL HAVE VERTICAL STIFFENERS ON 24" CENTERS.
- GENERAL ARRANGEMENT IS TO BE USED FOR REFERENCE ONLY AND NOT FOR CONSTRUCTION UNLESS CERTIFIED BY CUSTOMER.



REV.	DESCRIPTION	DATE BY

UNITS	TOLERANCES
UNLESS OTHERWISE SPECIFIED, ALL DIMENSIONS ARE IN INCHES.	FRACTIONAL ± 1/8" ANGULAR ± .5°

THIS MATERIAL IS THE SOLE PROPERTY OF ULTRA INDUSTRIES INC. AND SHALL NOT BE REPRODUCED, PUBLISHED OR DISCLOSED TO ANYONE WITHOUT OBTAINING THE WRITTEN AUTHORIZATION OF ULTRA INDUSTRIES INC.

NO BACKCHARGES FOR FIELD RELATED WORK OF ANY KIND WILL BE ACCEPTED UNLESS FIRST REQUESTED AND AGREED TO WITH WRITTEN AUTHORIZATION FROM ULTRA INDUSTRIES INC.



**ULTRA INDUSTRIES, INC.**  
1908 DEKOVEN AVE. RACINE, WISCONSIN 53403  
PHONE: 262/633-5070 FAX: 262/633-5102

FOR SPARE PARTS, CALL: 1-800-35ULTRA

SCALE: N.T.S.	SERIAL NO.: ARRANGEMENT II	DRAWN BY: MLD
DATE: 2-00		APPROVED BY:

**GENERAL ARRANGEMENT**

MODEL: BB-144 - BB-256 COLLECTORS BOTTOM BAG REMOVAL	DRAWING NUMBER: BB144256 II	REV.: 0
--	-----------------------------	---------