

NO. OF BAGS	BAG LGH (IN)	FILTER AREA (SQ. FT.)	NO. OF VALVES	100 PSI COMP. AIR (SCFM)	EST. WEIGHT (LBS.)	OUTLET SIZE (IN)	GENERAL DIMENSIONS					
							A	B	C	D	E	F
CB 7	36	30	3	3.1	290	4"Ø	2'-0"	1'-6"	3'-10"	5'-4"	20	26-1/8"
	58	51		3.3	360	THRU	2'-0"	1'-6"	5'-8"	7'-2"		
	84	74		3.5	400	7"Ø	2'-0"	1'-6"	7'-10"	9'-4"		
CB 10	36	43	4	4.5	380	5"Ø	2'-8"	1'-8"	3'-10"	5'-6"	28	34-1/2"
	58	72		4.7	450	THRU	2'-8"	1'-8"	5'-8"	7'-4"		
	84	106		5.1	510	8"Ø	2'-8"	1'-8"	7'-10"	9'-6"		
CB 14	58	101	4	4.8	625	6"Ø	3'-0"	1'-8"	5'-8"	7'-4"	32	38-1/2"
	84	148		5.2	715	THRU	3'-0"	1'-8"	7'-10"	9'-6"		
	100	178		5.4	888	9"Ø	3'-0"	1'-8"	9'-2"	10'-10"		
CB 18	58	131	4	6.0	800	7"Ø	3'-4"	1'-10"	5'-8"	7'-6"	36	42-1/2"
	84	191		6.5	920	THRU	3'-4"	1'-10"	7'-10"	9'-8"		
	100	229		6.8	1000	10"Ø	3'-4"	1'-10"	9'-2"	11'-0"		
CB 24	58	173	5	6.5	1150	8"Ø	4'-0"	1'-10"	5'-8"	7'-6"	44	50-1/2"
	84	254		6.9	1290	THRU	4'-0"	1'-10"	7'-10"	9'-8"		
	100	305		7.2	1410	11"Ø	4'-0"	1'-10"	9'-2"	11'-0"		

CUSTOMER DATA

_____ AIR VOLUME
 _____ FILTER AREA
 _____ AIR/CLOTH RATIO
 _____ PRODUCT
 _____ TEMPERATURE
 _____ DUST LOADING

CONSTRUCTION

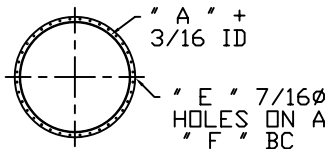
_____ MS (STANDARD)
 _____ SS (DUST CONTACT)
 _____ SS (GAS CONTACT)
 _____ OTHER

FILTER BAGS

_____ STANDARD 16 OZ. PE
 _____ OTHER

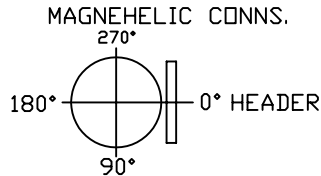
OPTIONS & ORIENTATIONS

_____ OUTLET
 _____ BIRDSCREEN
 _____ C.A.P. ACCESS
 _____ D.A.P. ACCESS
 _____ PLATFORM
 _____ LADDER
 _____ FAN
 _____ LEVEL INDICATOR
 _____ INTERIOR PAINT
 _____ SUPPORT GRID
 _____ EXPLOSION DOOR
 _____ SUPT. SADDLE
 _____ INSULATION
 _____ SPRINKLER
 _____ SOLENOID BOX
 _____ PULSE ON DEMAND
 _____ PRESSURE SWITCH
 _____ OTHER



ANGLE RING BASE

ALL UNITS USE 2" X 2" X 3/16" EXCEPT CB-7 UNITS WHICH USE 1 1/2" X 1 1/2" X 3/16" ANGLE RINGS

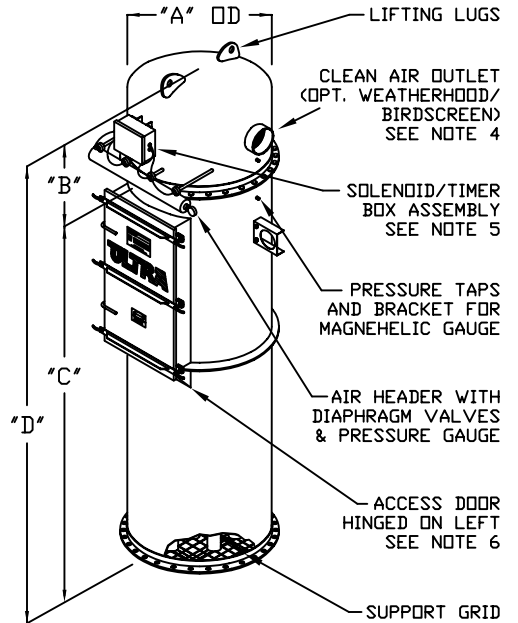


ORIENTATION VIEW

FOR LOCATING COMPONENTS

SHOP NOTES

- DESIGN PRESSURE UP TO +/- 20' W.G.
- SHOP PAINT: ALL EXTERIOR MS SURFACES ONE (1) COAT SHERWIN WILLIAMS METALASTIC DTM ACRYLIC MODIFIED ENAMEL (SWB55Z600SHG) ULTRA GRAY @ 4 MILS D.F.T. MIN.
- AIR HEADER IS ALWAYS LOCATED AT 0 DEGREES.
- CLEAN AIR OUTLET CANNOT BE AT 0 DEGREES.
- A NEMA 4 SOLENOID/TIMER BOX ASSEMBLY IS SUPPLIED. THE SOLENOID VALVES ARE PREWIRED TO THEIR RESPECTIVE TIMER OUTPUT TERMINALS. THE SOLENOID PORT IS PRE-CONNECTED TO ITS RESPECTIVE DIAPHRAGM VALVE RELIEF PORT USING POLY-FLOW TUBING.
- ALL UNITS WITH 58" & 84" FILTER BAGS WILL HAVE 20" X 36" HINGED ACCESS DOORS. ALL UNITS WITH 100" FILTER BAGS WILL HAVE 20" X 44" HINGED ACCESS DOORS. CB-7-36 UNITS WILL HAVE A 16" X 24" HINGED ACCESS DOOR. CB-7-58 & CB-7-84 UNITS WILL HAVE A 16" X 36" BOLTED ACCESS DOOR.
- GENERAL ARRANGEMENT IS TO BE USED FOR REFERENCE ONLY AND NOT FOR CONSTRUCTION UNLESS CERTIFIED BY CUSTOMER.



REV.	DESCRIPTION	DATE BY

UNITS	TOLERANCES
UNLESS OTHERWISE SPECIFIED, ALL DIMENSIONS ARE IN INCHES.	FRACTIONAL ± 1/8" ANGULAR ± 5°

THIS MATERIAL IS THE SOLE PROPERTY OF ULTRA INDUSTRIES INC. AND SHALL NOT BE REPRODUCED, PUBLISHED OR DISCLOSED TO ANYONE WITHOUT OBTAINING THE WRITTEN AUTHORIZATION OF ULTRA INDUSTRIES INC.

NO BACKCHARGES FOR FIELD RELATED WORK OF ANY KIND WILL BE ACCEPTED UNLESS FIRST REQUESTED AND AGREED TO WITH WRITTEN AUTHORIZATION FROM ULTRA INDUSTRIES INC.

ULTRA ULTRA INDUSTRIES, INC.
 1908 DEKOVEN AVE. RACINE, WISCONSIN 53403
 PHONE: 262/633-5070 FAX: 262/633-5102

FOR SPARE PARTS, CALL: 1-800-35ULTRA

SCALE: N.T.S.	SERIAL NO.:	DRAWN BY: MLD
DATE: 6-00	ARRANGEMENT II	APPROVED BY:

GENERAL ARRANGEMENT		
MODEL: CB-7 -- CB-24 COLLECTORS BOTTOM BAG REMOVAL	DRAWING NUMBER: CB7-24 II	REV. 0

NO. OF BAGS	BAG LGH (IN)	FILTER AREA (SQ. FT.)	NO. OF VALVES	100 PSI COMP. AIR (SCFM)	EST. WEIGHT (LBS.)	OUTLET SIZE (IN)	GENERAL DIMENSIONS					
							A	B	C	D	E	F
CB 34	58	245	6	7.0	1420	9"φ	4'-8"	2'-0"	5'-8"	7'-8"	52	58-1/8"
	84	360		7.7	1570	THRU	4'-8"	2'-0"	7'-10"	9'-10"		
	100	432		8.0	1700	12"φ	4'-8"	2'-0"	9'-2"	11'-2"		
CB 39	58	281	7	7.5	1570	10"φ	5'-0"	2'-0"	5'-8"	7'-8"	56	62-1/2"
	84	414		8.0	1780	THRU	5'-0"	2'-0"	7'-10"	9'-10"		
	100	495		8.5	1910	13"φ	5'-0"	2'-0"	9'-2"	11'-2"		
CB 48	58	346	8	10.3	1750	11"φ	5'-6"	2'-2"	5'-8"	7'-10"	64	68-1/2"
	84	509		10.7	1900	THRU	5'-6"	2'-2"	7'-10"	10'-0"		
	100	609		11.1	2190	14"φ	5'-6"	2'-2"	9'-2"	11'-4"		
CB 58	58	418	8	10.6	1950	12"φ	6'-0"	2'-4"	5'-8"	8'-0"	68	74-1/2"
	84	615		11.2	2110	THRU	6'-0"	2'-4"	7'-10"	10'-2"		
	100	736		11.8	2290	15"φ	6'-0"	2'-4"	9'-2"	11'-6"		
CB 65	58	468	9	11.3	2090	13"φ	6'-6"	2'-4"	5'-8"	8'-0"	72	80-1/4"
	84	689		11.7	2450	THRU	6'-6"	2'-4"	7'-10"	10'-2"		
	100	825		12.1	2630	16"φ	6'-6"	2'-4"	9'-2"	11'-6"		

CUSTOMER DATA

- _____ AIR VOLUME
- _____ FILTER AREA
- _____ AIR/CLOTH RATIO
- _____ PRODUCT
- _____ TEMPERATURE
- _____ DUST LOADING

CONSTRUCTION

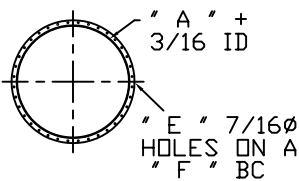
- _____ MS (STANDARD)
- _____ SS (DUST CONTACT)
- _____ SS (GAS CONTACT)
- _____ OTHER _____

FILTER BAGS

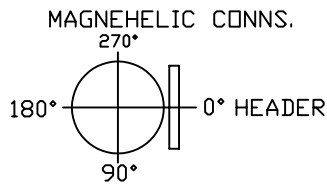
- _____ STANDARD 16 OZ. PE
- _____ OTHER _____

OPTIONS & ORIENTATIONS

- _____ OUTLET
- _____ BIRDSCREEN
- _____ C.A.P. ACCESS
- _____ D.A.P. ACCESS
- _____ PLATFORM
- _____ LADDER
- _____ FAN
- _____ LEVEL INDICATOR
- _____ INTERIOR PAINT
- _____ SUPPORT GRID
- _____ EXPLOSION DOOR
- _____ SUPT. SADDLE
- _____ INSULATION
- _____ SPRINKLER
- _____ SOLENOID BOX
- _____ PULSE ON DEMAND
- _____ PRESSURE SWITCH
- _____ OTHER _____



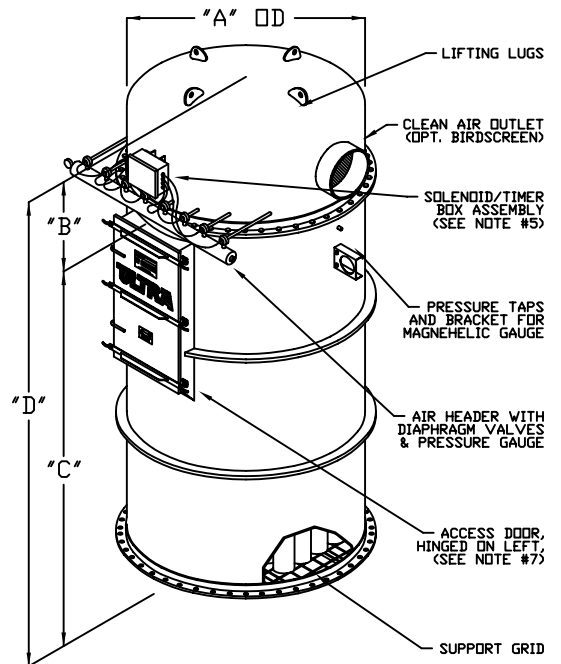
ANGLE RING BASE
2" x 2" x 3/16" ANGLE RINGS



ORIENTATION VIEW
FOR LOCATING COMPONENTS

SHOP NOTES

- DESIGN PRESSURE UP TO +/- 20" W.G.
- SHOP PAINT: ALL EXTERIOR MS SURFACES FINISH: ONE (1) COAT SHERWIN WILLIAMS METALASTIC DTM ACRYLIC MODIFIED ENAMEL (SWB55Z600SHG) ULTRA GRAY @ 4 MILS D.F.T. MIN.
- AIR HEADER IS ALWAYS LOCATED AT 0 DEGREES.
- CLEAN AIR OUTLET CANNOT BE AT 0 DEGREES.
- A NEMA 4 SOLENOID/TIMER BOX ASSEMBLY IS SUPPLIED. THE SOLENOID VALVES ARE PREWIRED TO THEIR RESPECTIVE TIMER OUTPUT TERMINALS. THE SOLENOID PORT IS PRE-CONNECTED TO ITS RESPECTIVE DIAPHRAGM VALVE RELIEF PORT USING POLY-FLOW TUBING.
- ALL UNITS WITH 58" & 84" FILTER BAGS WILL HAVE 20" X 36" HINGED ACCESS DOORS. ALL UNITS WITH 100" FILTER BAGS WILL HAVE 20" X 44" HINGED ACCESS DOORS.
- GENERAL ARRANGEMENT IS TO BE USED FOR REFERENCE ONLY AND NOT FOR CONSTRUCTION UNLESS CERTIFIED BY CUSTOMER.



REV.	DESCRIPTION	DATE BY				
<table border="0"> <tr> <td style="text-align: center;">UNITS</td> <td style="text-align: center;">TOLERANCES</td> </tr> <tr> <td style="text-align: center;">UNLESS OTHERWISE SPECIFIED, ALL DIMENSIONS ARE IN INCHES.</td> <td style="text-align: center;">FRACTIONAL ± .01" ANGULAR ± .5°</td> </tr> </table>			UNITS	TOLERANCES	UNLESS OTHERWISE SPECIFIED, ALL DIMENSIONS ARE IN INCHES.	FRACTIONAL ± .01" ANGULAR ± .5°
UNITS	TOLERANCES					
UNLESS OTHERWISE SPECIFIED, ALL DIMENSIONS ARE IN INCHES.	FRACTIONAL ± .01" ANGULAR ± .5°					
<p>THIS MATERIAL IS THE SOLE PROPERTY OF ULTRA INDUSTRIES INC. AND SHALL NOT BE REPRODUCED, PUBLISHED OR DISCLOSED TO ANYONE WITHOUT OBTAINING THE WRITTEN AUTHORIZATION OF ULTRA INDUSTRIES INC.</p> <p>NO BACKCHARGES FOR FIELD RELATED WORK OF ANY KIND WILL BE ACCEPTED UNLESS FIRST REQUESTED AND AGREED TO WITH WRITTEN AUTHORIZATION FROM ULTRA INDUSTRIES INC.</p>						
ULTRA INDUSTRIES, INC. 1908 DEKOVEN AVE. RACINE, WISCONSIN 53403 PHONE: 262/633-5070 FAX: 262/633-5102						
FOR SPARE PARTS, CALL: 1-800-35ULTRA						
SCALE: N.T.S.	SERIAL NO.: ARRANGEMENT II	DRAWN BY: MLD				
DATE: 6-00		APPROVED BY:				
GENERAL ARRANGEMENT						
MODEL: CB-34 -- CB-65 COLLECTORS	DRAWING NUMBER: CB34-65 II	REV: 0				
BOTTOM BAG REMOVAL						

NO. OF BAGS	BAG LGH (IN)	FILTER AREA (SQ. FT.)	NO. OF VALVES	100 PSI COMP. AIR (SCFM)	EST. WEIGHT (LBS.)	OUTLET SIZE (IN)	GENERAL DIMENSIONS					
							A	B	C	D	E	F
CB 80	84	848	10	13.0	3280	14"Ø	7'-0"	2'-6"	7'-10"	10'-4"	68	86"
	100	1016		14.0	3600	THRU	7'-0"	2'-6"	9'-2"	11'-8"		
	120	1225		15.2	3806	17"Ø	7'-0"	2'-6"	10'-10"	13'-4"		
CB 102	84	1081	11	13.5	3820	15"Ø	8'-0"	2'-8"	7'-10"	10'-6"	76	98"
	100	1295		14.5	4160	THRU	8'-0"	2'-8"	9'-2"	11'-10"		
	120	1562		15.7	4396	18"Ø	8'-0"	2'-8"	10'-10"	13'-6"		
CB 124	84	1315	12	14.0	4460	16"Ø	8'-6"	2'-8"	7'-10"	10'-6"	80	104"
	100	1574		15.0	4835	THRU	8'-6"	2'-8"	9'-2"	11'-10"		
	120	1899		16.2	5086	19"Ø	8'-6"	2'-8"	10'-10"	13'-6"		
CB 133	84	1410	12	16.0	5100	17"Ø	9'-0"	2'-8"	7'-10"	10'-6"	84	110"
	100	1689		17.0	5510	THRU	9'-0"	2'-8"	9'-2"	11'-10"		
	120	2037		18.2	5775	20"Ø	9'-0"	2'-8"	10'-10"	13'-6"		
CB 164	84	1739	14	18.6	6800	18"Ø	10'-0"	2'-10"	7'-10"	10'-8"	92	122"
	100	2082		19.8	7200	THRU	10'-0"	2'-10"	9'-2"	12'-0"		
	120	2512		21.0	7495	21"Ø	10'-0"	2'-10"	10'-10"	13'-8"		

CUSTOMER DATA

____ AIR VOLUME
 ____ FILTER AREA
 ____ AIR/CLOTH RATIO
 ____ PRODUCT
 ____ TEMPERATURE
 ____ DUST LOADING

CONSTRUCTION

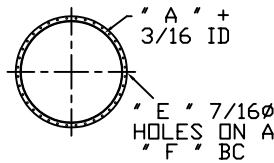
____ MS (STANDARD)
 ____ SS (DUST CONTACT)
 ____ SS (GAS CONTACT)
 ____ OTHER

FILTER BAGS

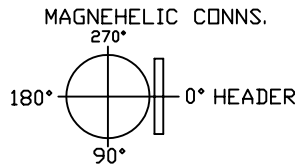
____ STANDARD 16 OZ. PE
 ____ OTHER

OPTIONS & ORIENTATIONS

____ OUTLET
 ____ BIRDSCREEN
 ____ C.A.P. ACCESS
 ____ D.A.P. ACCESS
 ____ PLATFORM
 ____ LADDER
 ____ FAN
 ____ LEVEL INDICATOR
 ____ INTERIOR PAINT
 ____ SUPPORT GRID
 ____ EXPLOSION DOOR
 ____ SUPT. SADDLE
 ____ INSULATION
 ____ SPRINKLER
 ____ SOLENOID BOX
 ____ PULSE ON DEMAND
 ____ PRESSURE SWITCH
 ____ OTHER



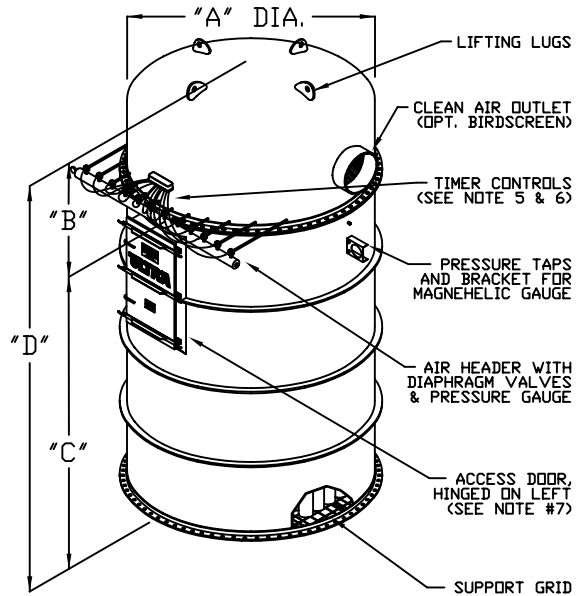
ANGLE RING BASE
 2" X 2" X 3/16" ANGLE RINGS



ORIENTATION VIEW
 FOR LOCATING COMPONENTS

SHOP NOTES

- DESIGN PRESSURE UP TO +/- 20' W.G.
- SHOP PAINT: ALL EXTERIOR MS SURFACES ONE COAT OF DIRECT-TO-METAL ENAMEL, SERIES 55, COLOR (SWB55W101SHG) ULTRA GRAY @ 1-1 1/2 MILS D.F.T.,
- AIR HEADER IS ALWAYS LOCATED AT 0 DEGREES.
- CLEAN AIR OUTLET CANNOT BE AT 0 DEGREES.
- A NEMA 4 TIMER AND SOLENOID BOX ASSEMBLY IS SUPPLIED. THE SOLENOID VALVES ARE PREWIRED TO THEIR RESPECTIVE TIMER OUTPUT TERMINALS. THE SOLENOID PORT IS PRE-CONNECTED TO ITS RESPECTIVE DIAPHRAGM VALVE RELIEF PORT USING POLY-FLOW TUBING.
- CB-80 UNITS WILL HAVE A NEMA 4 SOLENOID/TIMER BOX ASSEMBLY. CB-102 - CB-164 UNITS WILL HAVE A NEMA 4 SOLENOID BOX. THE SOLENOID VALVES ARE PREWIRED TO THEIR RESPECTIVE TIMER OUTPUT TERMINALS. THE SOLENOID PORT IS PRE-CONNECTED TO ITS RESPECTIVE DIAPHRAGM VALVE RELIEF PORT USING POLY-FLOW TUBING.
- A TIMER & NEMA 4 TIMER BOX IS SUPPLIED AND SHIPPED LOOSE FOR FIELD LOCATING AND MTG. THE TIMER BOX REQUIRES 1 PH / 60 HZ / 115 VOLT ELECTRICAL CONNECTION. (CB-102 - CB-164 UNITS ONLY).
- ALL UNITS WILL HAVE A 20" X 44" HINGED ACCESS DOOR.
- GENERAL ARRANGEMENT IS TO BE USED FOR REFERENCE ONLY AND NOT FOR CONSTRUCTION UNLESS CERTIFIED BY CUSTOMER.



REV.	DESCRIPTION	DATE BY

UNITS	TOLERANCES
UNLESS OTHERWISE SPECIFIED, ALL DIMENSIONS ARE IN INCHES.	FRACTIONAL ± 1/8" ANGULAR ± .5°

THIS MATERIAL IS THE SOLE PROPERTY OF ULTRA INDUSTRIES INC. AND SHALL NOT BE REPRODUCED, PUBLISHED OR DISCLOSED TO ANYONE WITHOUT OBTAINING THE WRITTEN AUTHORIZATION OF ULTRA INDUSTRIES INC.

NO BACKCHARGES FOR FIELD RELATED WORK OF ANY KIND WILL BE ACCEPTED UNLESS FIRST REQUESTED AND AGREED TO WITH WRITTEN AUTHORIZATION FROM ULTRA INDUSTRIES INC.



ULTRA INDUSTRIES, INC.
 1908 DEKOVEN AVE. RACINE, WISCONSIN 53403
 PHONE: 262/633-5070 FAX: 262/633-5102

FOR SPARE PARTS, CALL: 1-800-35ULTRA

SCALE: N.T.S.	SERIAL NO.: ARRANGEMENT II	DRAWN BY: MLD
DATE: 6-00	APPROVED BY:	

GENERAL ARRANGEMENT

MODEL: CB-80 -- CB-164 COLLECTORS BOTTOM BAG REMOVAL	DRAWING NUMBER: CB80-164 II	REV: 0
---	-----------------------------	--------