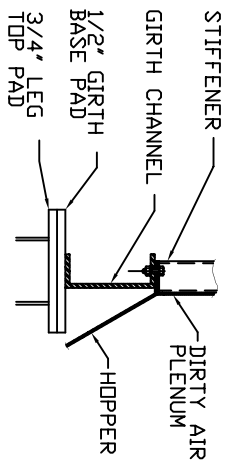


**HOPPER DISCH. FLANGE**



**GIRTH CHANNEL DETAIL**

NO. OF BAGS	BAG LENGTH (IN)	FILTER AREA (SQ. FT.)	NO. OF VALVES	AVG. SOFT DM. OF AIR 100 PSI	WEIGHT LBS.	GENERAL DIMENSIONS		
						A	B	C
NW 240	100	3142	16	32	9200	10'-8"	13	4'-8"
NW 270	120	3770	18	36	10000	12'-0"	17	6'-0"
	144	4524			11000			
	100	3534			10000			
	120	4241			11000			
	144	5089			12000			

**OPTIONS AND ORIENTATIONS**

INLET	*	PLATFORM	*	VIBRATOR	*
OUTLET	*	LADDER	*	ROTARY VALVE	*
ACCESS DOOR	*	SCREW CONV.	*	BINDICATOR	*
HOPPER ACCESS	*	FAN	*	POKE HOLE	*
LEGS	*			INTERIOR PAINT	*

**NOTES:**

- 1) DESIGN PRESSURE UP TO +/- 20' W.G.
- 2) SHOP PAINT: EXTERIOR SURFACES ONE COAT OF DIRECT-TO-METAL ENAMEL, SERIES 55, COLOR (S/WB55W10ISHG) ULTRA GRAY @ 1-1 1/2 MILS D.F.T.
- 3) AIR HEADER IS ALWAYS LOCATED AT 0 DEGREES.
- 4) A NEMA 4 SOLENOID BOX IS SUPPLIED. THE SOLENOID PORT IS PRE-CONNECTED TO ITS RESPECTIVE DIAPHRAGM VALVE RELIEF PORT USING POLY-FLOW TUBING.
- 5) A TIMER & NEMA 4 TIMER BOX IS SUPPLIED AND SHIPPED LOOSE FOR FIELD LOCATING AND MTG. THE TIMER BOX REQUIRES 1 PH / 60 / 115 VOLT ELECTRICAL CONNECTION.
- 6) ALL UNITS WILL HAVE 20' X 44' HINGED ACCESS DOORS.

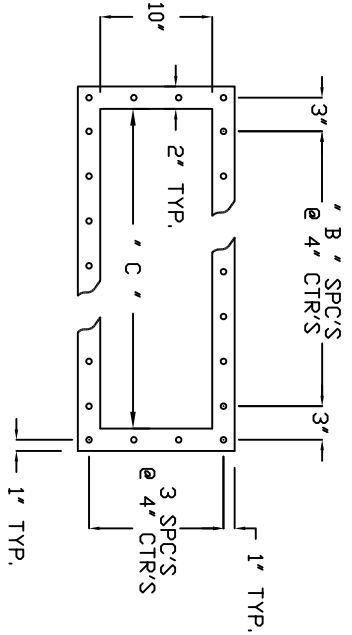
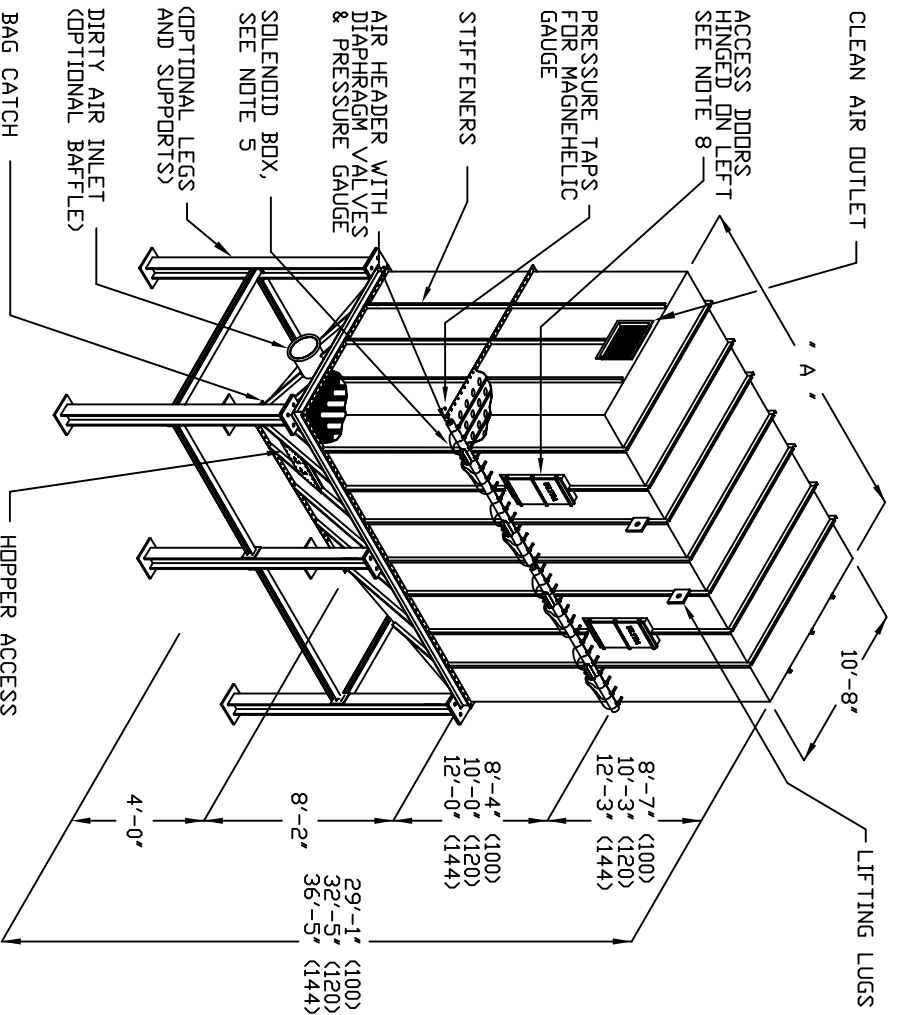
REV.	DESCRIPTION	DATE BY
A	CORRECTED DIMENSIONS	2-8-01 JPH

**ULTRA INDUSTRIES, INC.**  
 1908 DE KOVEN AVE. RACINE, WI 53403  
 PHONE: 414-633-5070 FAX: 414-633-5172

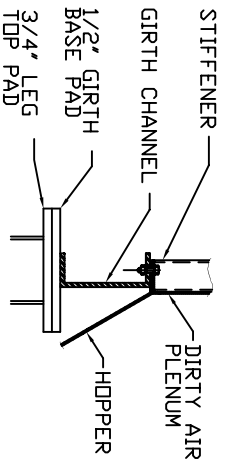
UPDATED: 4/30/97 SERIAL: ARRANGEMENT III DRAWN BY: MLD

**GENERAL DIMENSIONS**

MODEL	DRAWING NUMBER	REV.
NW 240 - 270 III (WALK-IN) TOP BAG REM.	NW-240-270 III	A



**HOPPER DISCH. FLANGE**



**GIRTH CHANNEL DETAIL**

NO. OF BAGS	BAG LENGTH (IN)	FILTER AREA (SQ. FT.)	NO. OF VALVES	AVE. SOFTEN. AIR PSI	WEIGHT LBS.	GENERAL DIMENSIONS		
						A	B	C
NW 300	100	3927	20	40	11400	13'-4"	21	7'-4"
NW 330	120	4712	20	40	12400	13'-4"	21	7'-4"
NW 360	144	5655	22	44	13500	14'-8"	25	8'-8"
NW 390	100	4320	22	44	12200	14'-8"	25	8'-8"
NW 420	120	5184	22	44	13200	14'-8"	25	8'-8"
NW 420	144	6220	24	48	14300	16'-0"	29	10'-0"
NW 420	120	4712	24	52	13000	16'-0"	29	10'-0"
NW 420	144	5655	26	52	14100	17'-4"	33	11'-4"
NW 420	100	5105	26	52	13800	17'-4"	33	11'-4"
NW 420	120	6126	28	56	14900	18'-8"	37	12'-8"
NW 420	144	7351	28	56	16100	18'-8"	37	12'-8"
NW 420	100	5498	28	56	14650	18'-8"	37	12'-8"
NW 420	120	6597	28	56	15850	18'-8"	37	12'-8"
NW 420	144	7917	28	56	17150	18'-8"	37	12'-8"

**OPTIONS AND ORIENTATIONS**

INLET	*	PLATFORM	*	VIBRATOR	*
OUTLET	*	LADDER	*	ROTARY VALVE	*
ACCESS DOOR	*	SCREW CONV.	*	BINDICATOR	*
HOPPER ACCESS	*	FAN	*	POKE HOLE	*
LEGS	*		*	INTERIOR PAINT	*

**NOTES:**

- 1) DESIGN PRESSURE UP TO +/- 20' W.G.
- 2) SHOP PAINT: EXTERIOR SURFACES ONE COAT OF DIRECT-TO-METAL ENAMEL, SERIES 55, COLOUR (SWBSSW101SHG) ULTRA GRAY @ 1-1/2 MILS D.F.T.,
- 3) AIR HEADER IS ALWAYS LOCATED AT 0 DEGREES.
- 4) A NEMA 4 SOLENOID BOX IS SUPPLIED. THE SOLENOID PORT IS PRE-CONNECTED TO ITS RESPECTIVE DIAPHRAGM VALVE RELIEF PORT USING POLY-FLOW TUBING.
- 5) A TIMER & NEMA 4 TIMER BOX IS SUPPLIED AND SHIPPED LOOSE FOR FIELD LOCATING AND MTG. THE TIMER BOX REQUIRES 1 PH / 60 / 115 VOLT ELECTRICAL CONNECTION.
- 6) ALL UNITS WILL HAVE 20' X 44' HINGED ACCESS DOORS.

REV.	DESCRIPTION	DATE BY
A	CORRECTED DIMENSIONS	2-8-01 DJH

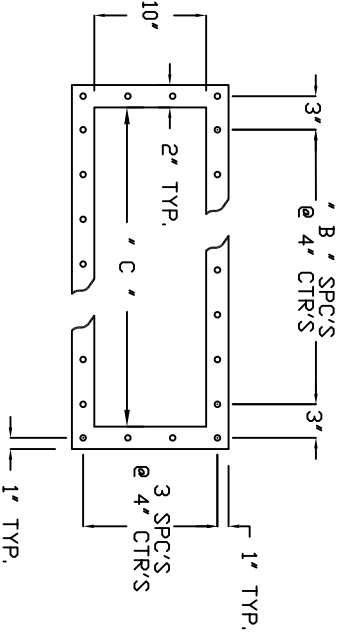
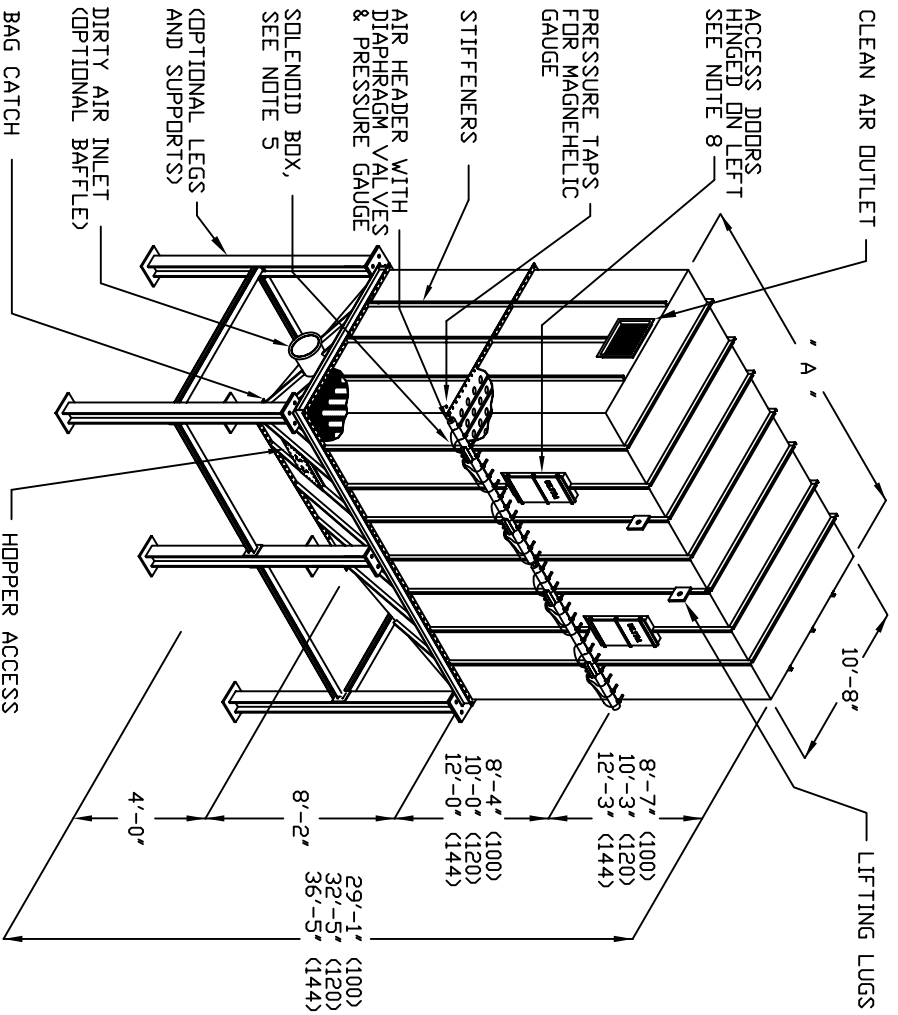
**ULTRA INDUSTRIES, INC.**  
 1908 DE KOVEN AVE. RACINE, WI 53403  
 PHONE: 414-633-5070 FAX: 414-633-5172

UPDATED: 4/30/97 SERIAL: ARRANGEMENT III DRAWN BY: MLD APPROVED BY:

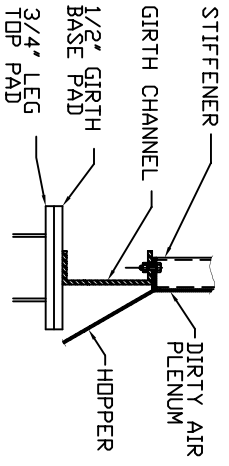
**GENERAL DIMENSIONS**

MODEL	DRAWING NUMBER	REV.
NW 300 - 420 III	NW-300-420 III	A

(WALK-IN) TOP BAG REM.



**HOPPER DISCH. FLANGE**



**GIRTH CHANNEL DETAIL**

ND. OF BAGS	BAG LENGTH (IND)	FILTER AREA (SQ. FT.)	ND. OF VALVES	AVG. SCFM OF AIR 100 PSI	WEIGHT LBS.	GENERAL DIMENSIONS		
						A	B	C
NW 450	100	5890	30	60	15450	20'-0"	41	14'-0"
NW 480	120	7069	30	60	16650	20'-0"	41	14'-0"
NW 510	144	8482	32	64	17950	21'-4"	45	15'-4"
NW 540	100	6283	32	64	16300	21'-4"	45	15'-4"
NW 570	120	7540	32	64	17600	21'-4"	45	15'-4"
NW 570	144	9048	34	68	19000	22'-8"	49	16'-8"
NW 570	120	6676	34	68	17100	22'-8"	49	16'-8"
NW 570	144	8011	36	72	18500	24'-0"	53	18'-0"
NW 570	100	7069	36	72	20000	24'-0"	53	18'-0"
NW 570	120	8482	38	76	17950	25'-4"	57	19'-4"
NW 570	144	10179	38	76	19400	25'-4"	57	19'-4"
NW 570	100	7461	38	76	20950	25'-4"	57	19'-4"
NW 570	120	8954	38	76	18800	25'-4"	57	19'-4"
NW 570	144	10744	38	76	20300	25'-4"	57	19'-4"
NW 570	144	10744	38	76	21900	25'-4"	57	19'-4"

**OPTIONS AND ORIENTATIONS**

INLET	*	PLATFORM	*	VIBRATOR	*
OUTLET	*	LADDER	*	ROTARY VALVE	*
ACCESS DOOR	*	SCREW CONV.	*	BINDICATOR	*
HOPPER ACCESS	*	FAN	*	PIKE HOLE	*
LEGS	*			INTERIOR PAINT	*

**NOTES:**

- 1) DESIGN PRESSURE UP TO +/- 20" W.G.
- 2) SHOP PAINT: EXTERIOR SURFACES ONE COAT OF DIRECT-TO-METAL ENAMEL, SERIES 55, COLOR (SWB55W101SHG) ULTRA GRAY @ 1-1 1/2 MILS D.F.T.,
- 3) AIR HEADER IS ALWAYS LOCATED AT 0 DEGREES.
- 4) A NEMA 4 SOLENOID BOX IS SUPPLIED. THE SOLENOID PORT IS PRE-CONNECTED TO ITS RESPECTIVE DIAPHRAGM VALVE RELIEF PORT USING POLY-FLOW TUBING.
- 5) A TIMER & NEMA 4 TIMER BOX IS SUPPLIED AND SHIPPED LOOSE FOR FIELD LOCATING AND MTG. THE TIMER BOX REQUIRES 1 PH / 60 / 115 VOLT ELECTRICAL CONNECTION.
- 6) ALL UNITS WILL HAVE 20' X 44' HINGED ACCESS DOORS.

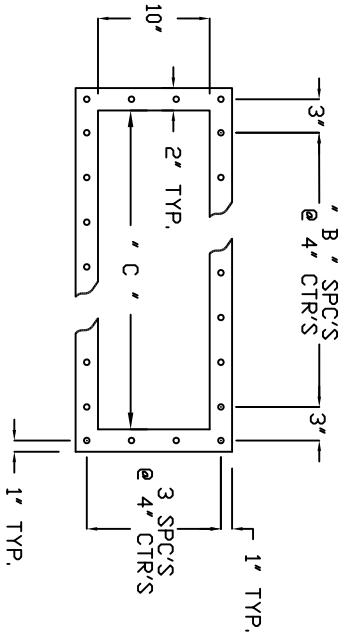
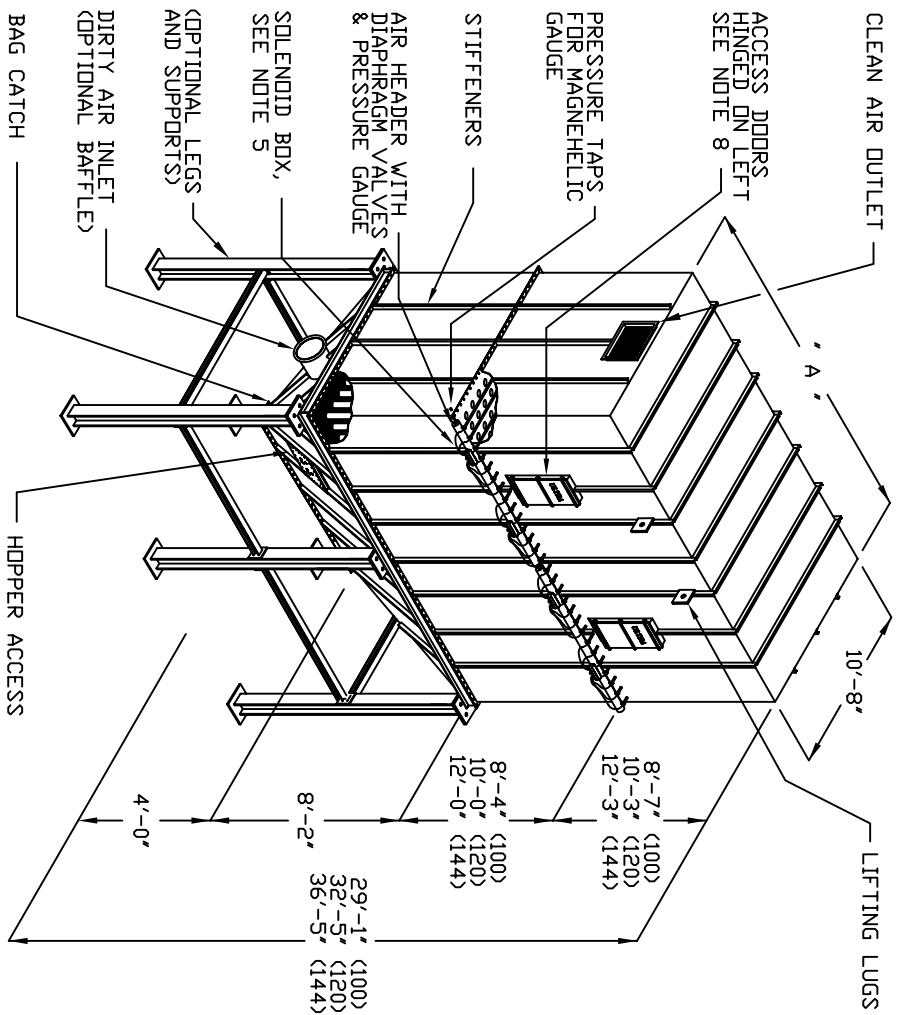
REV.	DESCRIPTION	DATE
A	CORRECTED DIMENSIONS	2-8-01

**ULTRA**  
 ULTRA INDUSTRIES, INC.  
 1908 DE KOVEN AVE.  
 RACINE, WI 53403  
 PHONE: 414-633-5070 FAX: 414-633-5172

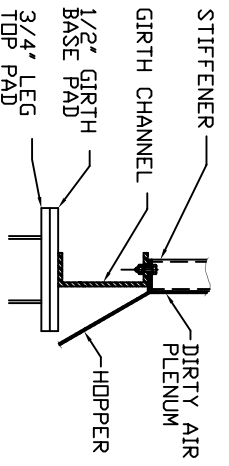
UPDATED: 4/30/97 SERIAL: ARRANGEMENT III DRAWN BY: MLD  
 CUSTOMER:

**GENERAL DIMENSIONS**

MODEL	DRAWING NUMBER	REV.
NW 450 - 570 III	NW-450-570 III	A
(WALK-IN) TOP BAG REM.		



**HOPPER DISCH. FLANGE**



**GIRTH CHANNEL DETAIL**

NO. OF BAGS	BAG LENGTH (IN)	FILTER AREA (SQ. FT.)	NO. OF VALVES	AVG. SCFM OF AIR 100 PSI	WEIGHT LBS.	GENERAL DIMENSIONS		
						A	B	C
NW 600	100	7854	40	80	19700	26'-8"	61	20'-8"
NW 630	100	8247	42	84	20500	28'-0"	65	22'-0"
NW 660	100	8639	44	88	21300	29'-4"	69	23'-4"
NW 690	120	10367	46	92	22800	30'-8"	73	24'-8"
NW 720	144	13006	48	96	25500	32'-0"	77	26'-0"

**OPTIONS AND ORIENTATIONS**

INLET	*	PLATFORM	*	VIBRATOR	*
OUTLET	*	LADDER	*	ROTARY VALVE	*
ACCESS DOOR	*	SCREW CONV.	*	BINDICATOR	*
HOPPER ACCESS	*	FAN	*	POKE HOLE	*
LEGS	*			INTERIOR PAINT	*

**NOTES:**

- 1) DESIGN PRESSURE UP TO +/- 20" W.G.
- 2) SHOP PAINT: EXTERIOR SURFACES ONE COAT OF DIRECT-TO-METAL ENAMEL, SERIES 55, COLOR (S/WB55W101SHG) ULTRA GRAY @ 1-1/2 MILS D.F.T.,
- 3) AIR HEADER IS ALWAYS LOCATED AT 0 DEGREES.
- 4) A NEMA 4 SOLENOID BOX IS SUPPLIED. THE SOLENOID PORT IS PRE-CONNECTED TO ITS RESPECTIVE DIAPHRAGM VALVE RELIEF PORT USING POLY-FLOW TUBING.
- 5) A TIMER & NEMA 4 TIMER BOX IS SUPPLIED AND SHIPPED LOOSE FOR FIELD LOCATING AND MTG. THE TIMER BOX REQUIRES 1 PH / 60 / 115 VOLT ELECTRICAL CONNECTION.
- 6) ALL UNITS WILL HAVE 20" X 44" HINGED ACCESS DOORS.

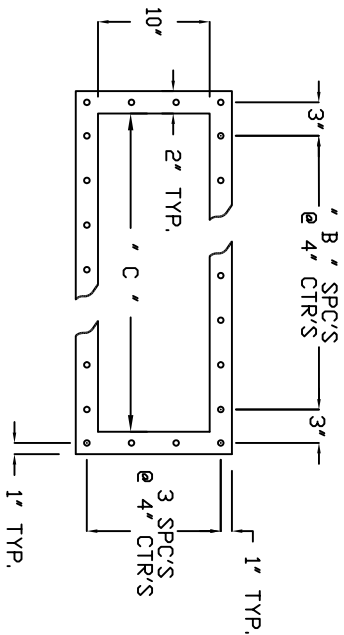
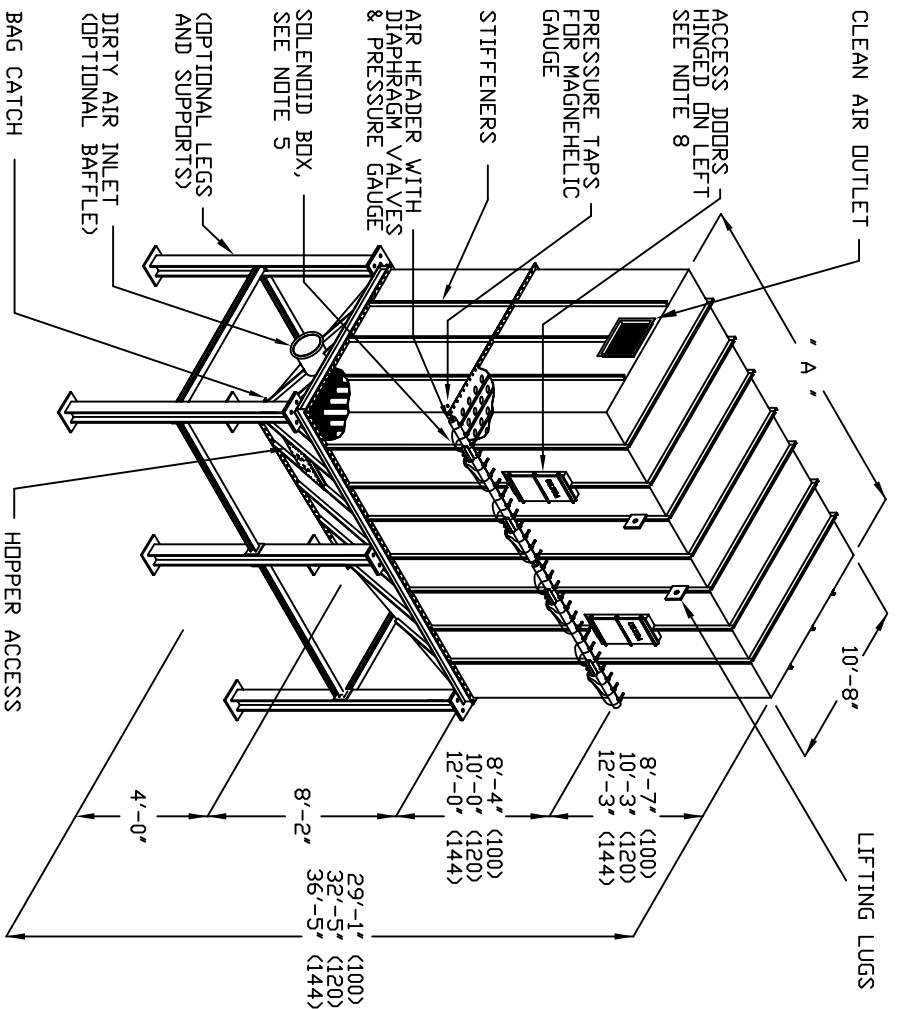
REV.	DESCRIPTION	DATE BY
A	CORRECTED DIMENSIONS	02-12-01 JPH

**ULTRA**  
 ULTRA INDUSTRIES, INC.  
 1908 DE KOVEN AVE. RACINE, WI 53403  
 PHONE: 414-633-5070 FAX: 414-633-5172

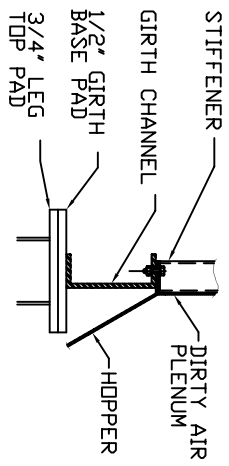
UPDATED: 4/30/97 SERIAL: ARRANGEMENT III DRAWN BY: MLD

**GENERAL DIMENSIONS**

MODEL	DRAWING NUMBER	REV.
NW 600 - 720 III (WALK-IN) TOP BAG REM.	NW-600-720 III	A



HOPPER DISCH. FLANGE



GIRTH CHANNEL DETAIL

NO. OF BAGS	BAG LENGTH (IN)	FILTER AREA (SQ. FT.)	NO. OF VALVES	AVG. SOFTENING AIR 100 PSI	WEIGHT LBS.	GENERAL DIMENSIONS		
						A	B	C
NW 750	100	9817	50	100	23700	33'-4"	81	27'-4"
NW 780	120	11781	50	100	25500	33'-4"	81	27'-4"
NW 810	144	14137	52	104	27400	34'-8"	85	28'-8"
NW 840	100	10210	52	104	24500	34'-8"	85	28'-8"
NW 870	120	12252	54	108	26300	36'-0"	89	30'-0"
NW 900	144	14703	56	112	28200	36'-0"	89	30'-0"
	100	10603	54	108	26300	37'-4"	93	31'-4"
	120	12723	56	112	28200	37'-4"	93	31'-4"
	144	15268	58	116	29100	38'-8"	97	32'-8"
	100	10996	58	116	27200	38'-8"	97	32'-8"
	120	13195	60	120	29100	40'-0"	101	34'-0"
	144	15834	60	120	31100	40'-0"	101	34'-0"
	100	11388	60	120	28100	40'-0"	101	34'-0"
	120	13666	60	120	30100	40'-0"	101	34'-0"
	144	16399	60	120	32200	40'-0"	101	34'-0"
	100	11781	60	120	29000	40'-0"	101	34'-0"
	120	14137	60	120	31000	40'-0"	101	34'-0"
	144	16965	60	120	33100	40'-0"	101	34'-0"

OPTIONS AND ORIENTATIONS

INLET	*
OUTLET	*
ACCESS DOOR	*
HOPPER ACCESS	*
LEGS	*

PLATFORM	*
LADDER	*
SCREW CONV.	*
FAN	*

VIBRATOR	*
ROTARY VALVE	*
BINDICATOR	*
POKE HOLE	*
INTERIOR PAINT	*

NOTES:

- 1) DESIGN PRESSURE UP TO +/- 20" W.G.
- 2) SHOP PAINT: EXTERIOR SURFACES ONE COAT OF DIRECT-TO-METAL ENAMEL, SERIES 55, COLOR (SWB55W10ISHG) ULTRA GRAY @ 1-1/2 MILS D.F.T.,
- 3) AIR HEADER IS ALWAYS LOCATED AT 0 DEGREES.
- 4) A NEMA 4 SOLENOID BOX IS SUPPLIED. THE SOLENOID PORT IS PRE-CONNECTED TO ITS RESPECTIVE DIAPHRAGM VALVE RELIEF PORT USING POLY-FLOW TUBING.
- 5) A TIMER & NEMA 4 TIMER BOX IS SUPPLIED AND SHIPPED LOOSE FOR FIELD LOCATING AND MTG. THE TIMER BOX REQUIRES 1 PH / 60 / 115 VOLT ELECTRICAL CONNECTION.
- 6) ALL UNITS WILL HAVE 20" X 44" HINGED ACCESS DOORS.

REV. A	CORRECTED DIMENSIONS	02-12-01
REV.	DESCRIPTION	DATE BY
<b>ULTRA INDUSTRIES, INC.</b> 1908 DE KOVEN AVE. RACINE, WI 53403 PHONE: 414-633-5070 FAX: 414-633-5172		
UPDATED 4/30/97	SERIAL ARRANGEMENT III	APPROVED BY MLD
<b>GENERAL DIMENSIONS</b>		
CUSTOMER	DRAWN BY	REV.
MODEL: NW 750 - 900 III	DRAWING NUMBER	
(WALK-IN) TOP BAG REM.	NW-750-900 III	A